

Product Information

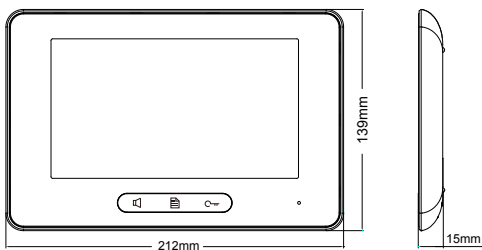
DT37M 2-Wire Indoor Monitor



DESCRIPTION

2-wire system 7 inch Digital Color TFT Monitor with touch screen and picture/video memory.

DIMENSION

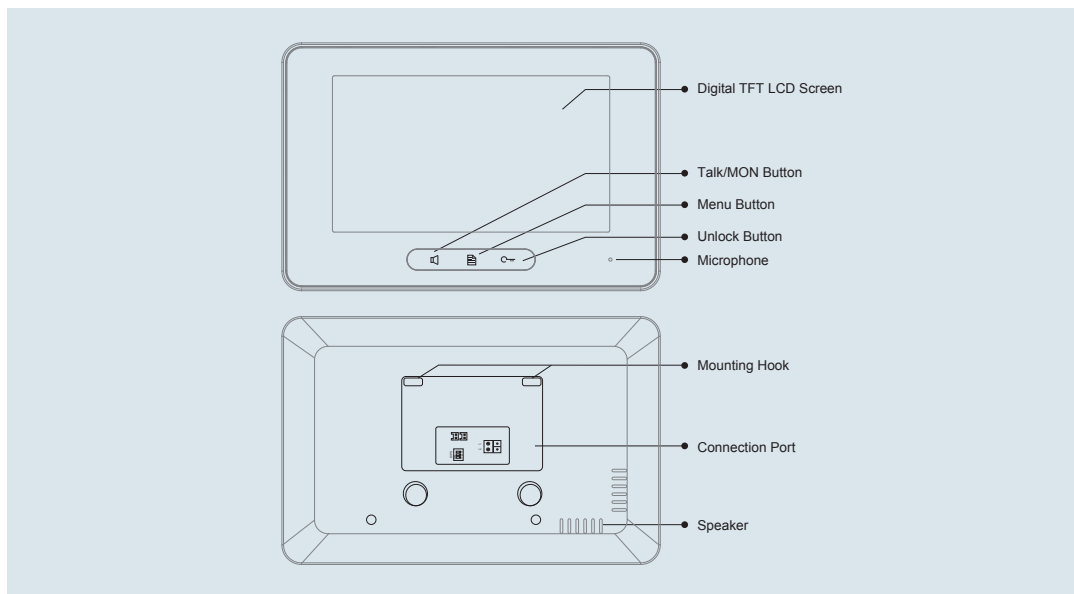


FEATURES

- ▶ Built-in picture/video memory;
- ▶ Calling/monitoring's string display/setting;
- ▶ Name list edition by built in keypad;
- ▶ Broadcasting;
- ▶ Call diverting via TPS/GSM;
- ▶ SOS SMS to mobile phone via GSM;
- ▶ Call recording management;
- ▶ Compatible with all DT outdoor & Indoor stations ;

*1 Multi-languages & Icon customized.

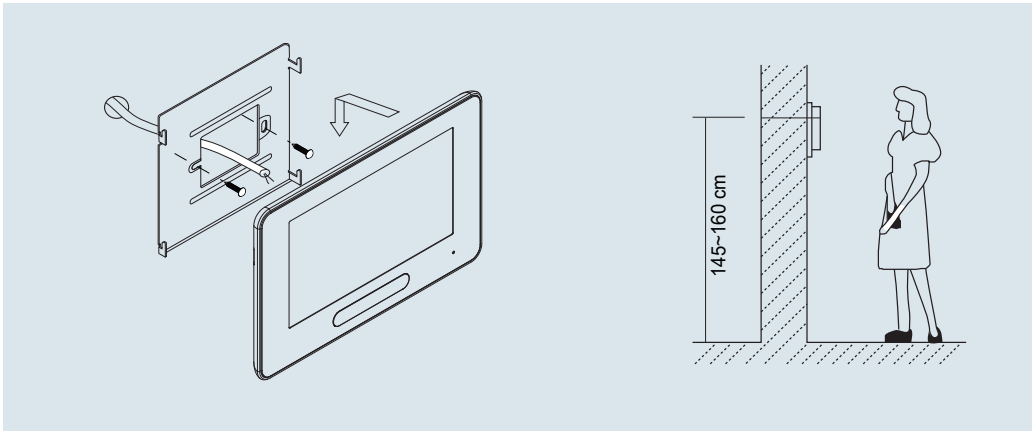
1. Parts and Functions



Key functions

| | |
|-----------------|---|
| LCD screen | Display the visitors' image |
| Unlock button | Press to release the door |
| Menu button | Press to open the menu shortcuts |
| Talk/Mon button | Press to communicate hands free with visitor Press to view the outdoor condition in standby mode |
| Microphone | Receive voice from the user |
| Mounting hook | Use to hang up the monitor |
| Connection port | Bus terminal |
| Speaker | Send out voice from the visitor |

2. Monitor Mounting



1. Use the screws to fix the Mounting Bracket on the mounting box.(fitting accesories includes a Bracket (Two pieces of 4X25 screws are needed to fasten the Mounting Bracket), Special 2 wire connectors to connect with Monitor)
2. Wire the system correctly(refer to connection chapter) then hang the Monitor on the Mounting Bracket firmly.

3. Specification

- Power supply for indoor monitor: DC 20~28V
- Power consumption: Standby 11.1mA; Working 280mA
- Monitor screen: 7 Inch digital color TFT
- Display Resolutions: 800*3(R, G, B) x 480 pixels
- Video signal: 1Vp-p, 75Ω, CCIR standard
- Wiring: 2 wires, non-polarity
- Dimension: 139(H)×212(W)×15(D)mm

4. Ordering Information For Monitor

| Item | Brief Description | Menu style |
|-----------|---|------------|
| DT37M/TD7 | 7 inch digital color TFT monitor with touch screen and picture/video memory & white housing | Color icon |

5. Optional Accessories (Not included)

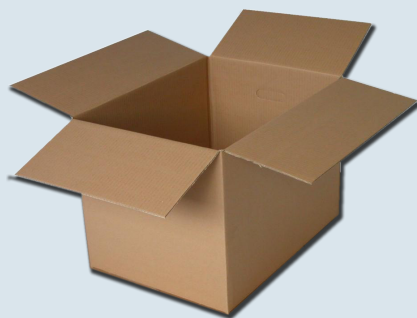
| Item | Brief Description | Remark |
|-------|---------------------------------|----------------------|
| DB1-W | Desk top bracket in white color | For desktop mounting |
| DB1-B | Desk top bracket in black color | For desktop mounting |

6. Packing Information



Dimensions: 166(H)×244(W)×40(D)mm

Gross Weight: 0.69Kg



Carton: 530 (H)×340 (W)×258 (D)mm

Quantity: 24PCS

7. User Interface: Menu style

