

Product Information

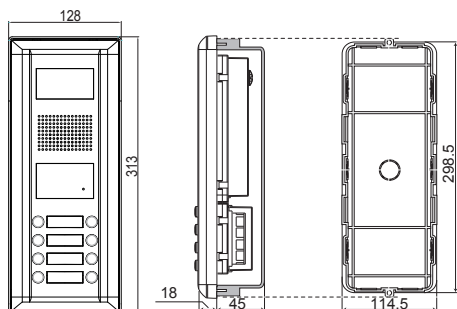
DMR11 Series 2-Wire Door Station



DESCRIPTION

2-wire apartment system color CCD outdoor station

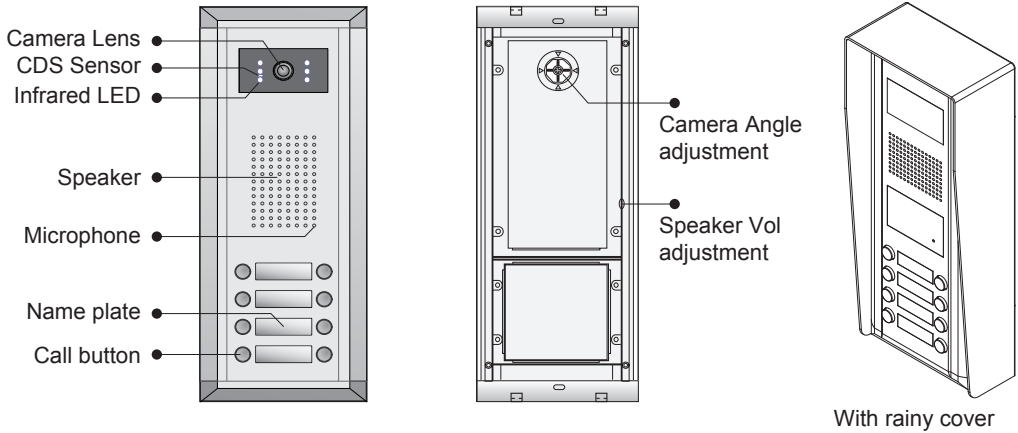
DIMENSION



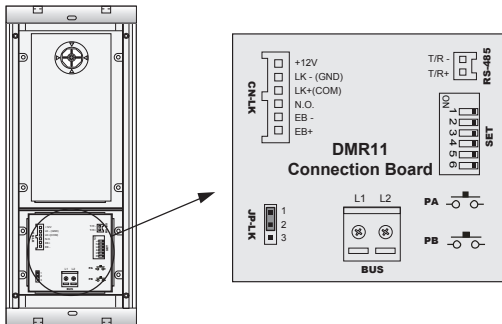
FEATURES

- ▶ Aluminum alloy panel design with direct selective buttons;
 - ▶ Multi call buttons combination for choice;
 - ▶ Color ARS Camera with high resolution;
 - ▶ Camera's angle is adjustable;
 - ▶ Proximity access control is optional(max.1000pcs EM cards);
 - ▶ IP45 protection rate;
 - ▶ Compatible with all DT two wire system model
-

1. Parts and Functions



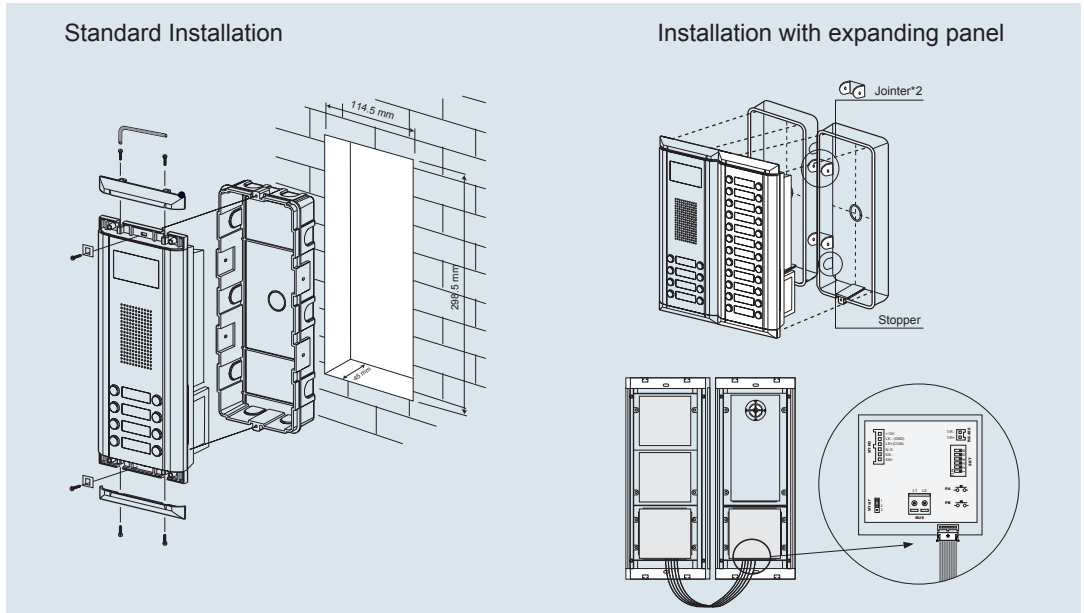
Terminal description



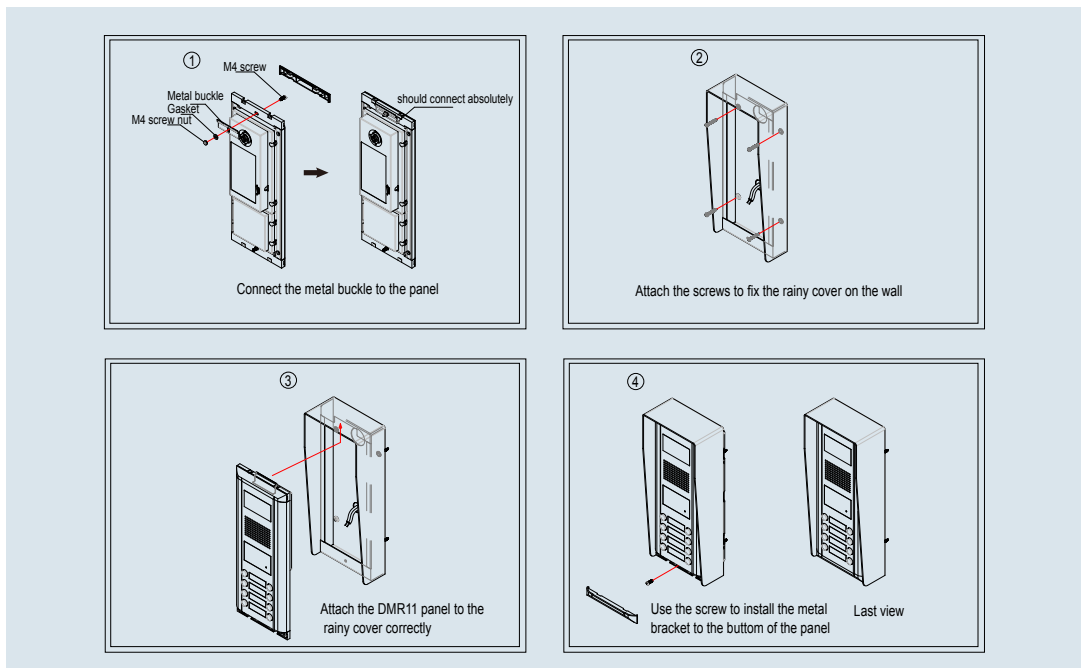
- **+12V**: 12VDC power output.
- **LK-(GND)**: power ground.
- **LK+(COM)**: Common contact of the Relay
- **NO.**: Normally open contact of the Relay(refer to DT technical guide for Lock connection detail informations).
- **EB+**: Exit button connection port.
- **EB-**: Exit button connection port.
- **JP-LK**: For electronic lock safety type setting(refer to Door Station Lock Connections).
- **T/R-**: USB-RS485 communication terminal negative.
- **T/R+**: USB-RS485 communication terminal positive.
- **SET**: DIP switches for system configurations.
- **PA**: program button A(refer to program section).
- **PB**: program button B.(refer to program section).
- **Bus(L1,L2)**: non-polarised bus line.

2. Door Station Mounting

Mounting without rainy cover



Mounting with rainy cover

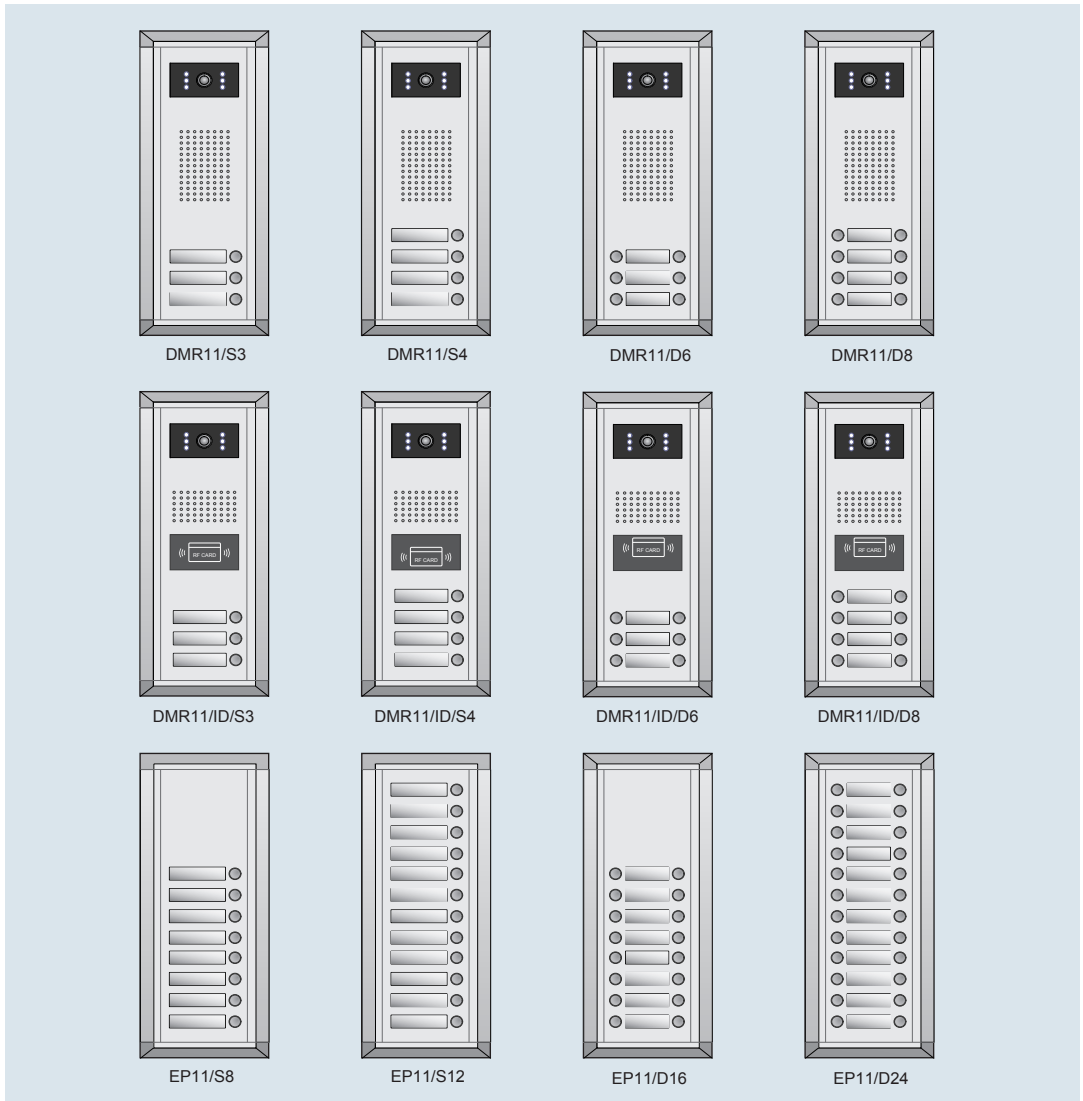


3. Specification

- * Power Supply : DC 24V (supplied by PS4-24V or PS5-24V);
- * Power Consumption: Standby 110mA; Working status 300mA;
- * Camera: Color CCD; 420 TV Lines;
- * Unlocking time: 1-99S, set by software;
- * Talking Time: 90S;
- * Lock Power supply: 12Vdc, 300mA(Internal Power);
- * Working Temperature: -10⁰C+45⁰C;
- * Wiring: 2 wires (non-polarity);
- * Dimension: 313(H)×128(W)×63(D)mm(with mount box)
313(H)×128(W)×70(D)mm(with rainy cover)

4. Ordering Information for Door Station

Model No.	Brief Description	Remark
DMR11/S3	Color ARS camera outdoor station (3 buttons)	NSTC,PAL must be specified
DMR11/S4	Color ARS camera outdoor station (4 buttons)	NSTC, PAL must be specified
DMR11/D6	Color ARS camera outdoor station (6 buttons)	NSTC,PAL must be specified
DMR11/D8	Color ARS camera outdoor station (8 buttons)	NSTC,PAL must be specified
DMR11/S3/ID	Color ARS camera outdoor station with proximity access control (3 buttons)	NSTC,PAL must be specified
DMR11/S4/ID	Color ARS camera outdoor station with proximity access control (4 buttons)	NSTC,PAL must be specified
DMR11/D6/ID	Color ARS camera outdoor station with proximity access control (6 buttons)	NSTC,PAL must be specified
DMR11/D8/ID	Color ARS camera outdoor station with proximity access control (8 buttons)	NSTC,PAL must be specified
EP11/S8	Expended door station with 8 buttons	
EP11/S12	Expended door station with 12 buttons	
EP11/D16	Expended door station with 16 buttons	
EP11/D24	Expended door station with 24 buttons	

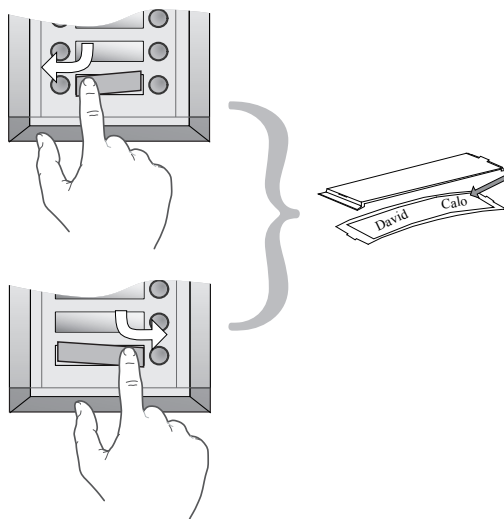


5. Optional Accessories (Not included)

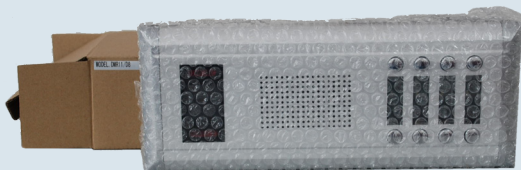
Item	Brief Description	Remark
RH11	Rain Cover for DMR11	1.01Kg
RS485-USB	RS485-USB converter	0.20Kg

5. Placing name label

Press down and move right or left to open the transparent nameplate cover, then insert the name paper, after that put the plate cover back to the panel. Please note that double button line panel can be opened both direction, single button line Can only be opened at right side.



5. Packing Information



Dimensions: 365(H)×145(W)×75(D)mm

Gross Weight: 1.2Kg



Carton: 415 (H)×360 (W)×265 (D)mm

Quantity: 10PCS